

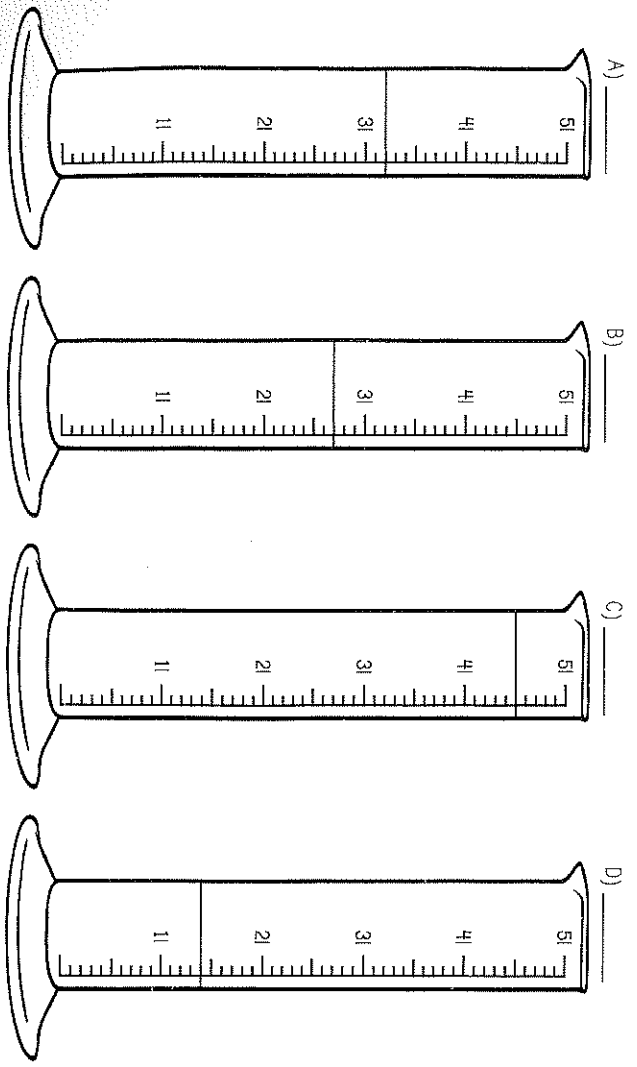
Reading Scales to Measure in Liters and Milliliters

I can read scales to measure in liters and milliliters.

Write how much liquid is in each cylinder.

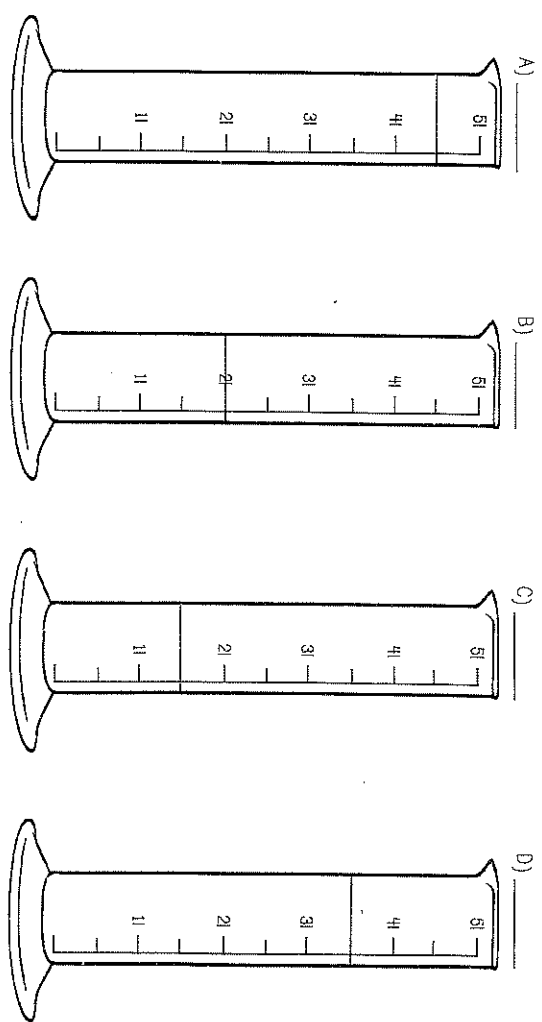
Cylinder 1:

Hint: There are 10 increments between 0 and 1l (1000ml).
 Each increment is worth 1000ml ÷ 10 = 100ml.



Cylinder 2:

Hint: There are 2 increments between 0 and 1l (1000ml).
 Each increment is worth 1000ml ÷ 2 = 500ml.



Cylinder 3:

Hint: There are 5 increments between 0 and 1l (1000ml).
 Each increment is worth 1000ml ÷ 5 = 200ml.

